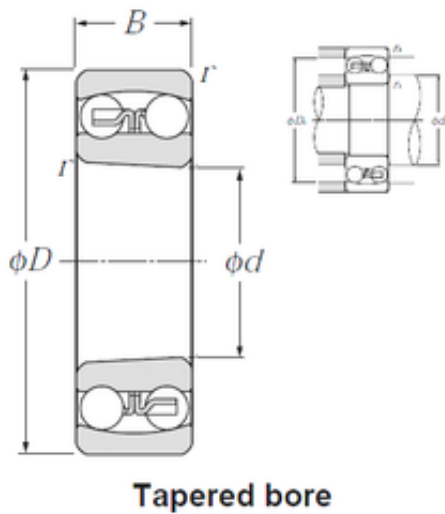




Changzhou SND bearing Co.,Ltd



50 mm x 90 mm x 23 mm NTN 2210SK self aligning ball bearings

Bearing No. 2210SK

Size	50x90x23 mm
Bore Diameter	50 mm
Outer Diameter	90 mm
Width	23 mm
d	50 mm
D	90 mm
B	23 mm
C	23 mm
r min.	1,1 mm
da min.	56,5 mm
Da max.	83,5 mm
ra max.	1 mm
Weight	0,564 Kg
Basic dynamic load rating (C)	23,3 kN
Basic static load rating (C0)	8,45 kN
(Grease) Lubrication Speed	6 300 r/min
(Oil) Lubrication Speed	8 000 r/min
Calculation factor (e)	0,28
Calculation factor (Y0)	2,3
Calculation factor (Y1)	2,2
rs min	1.1 mm
Associated sleeve reference	H310X
e	0.28
Y1	2.2
Y2	3.4

2210SK Bearing 2D drawings and 3D CAD models



Changzhou SND bearing Co.,Ltd

Y0	2.3
Radial clearance class	CN
Precision class	P0
Mass	0.56 kg
Dynamic load, C	23.3 kN
Static load, C0	8.45 kN
Nlim (oil)	8,000 rpm
Nlim (grease)	6,300 rpm
Min operating temperature, Tmin	-20 ° C
Max operating temperature, Tmax	120 ° C
da min	56.5 mm
da max	63 mm
db min	54 mm
Ce min	10 mm
Da max	83.5 mm
ra max	1 mm