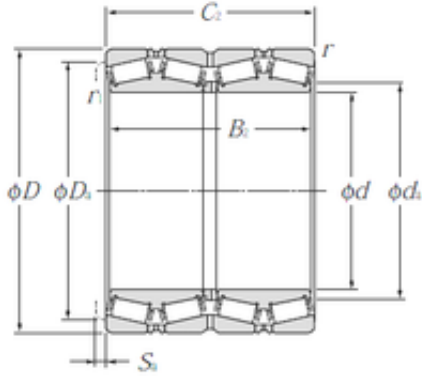




Changzhou SND bearing Co.,Ltd

250 mm x 370 mm x 220 mm NTN E-CRO-5001 tapered roller bearings



Bearing No. E-CRO-5001

Size	250x370x220 mm
Bore Diameter	250 mm
Outer Diameter	370 mm
Width	220 mm
d	250 mm
D	370 mm
B	220 mm
C	220 mm
r min.	4 mm
r1 min.	4 mm
Da	344 mm
da	276 mm
Sa	6 mm
Weight	87 Kg
Basic dynamic load rating (C)	2 050 kN

E-CRO-5001 Bearing 2D drawings and 3D CAD models