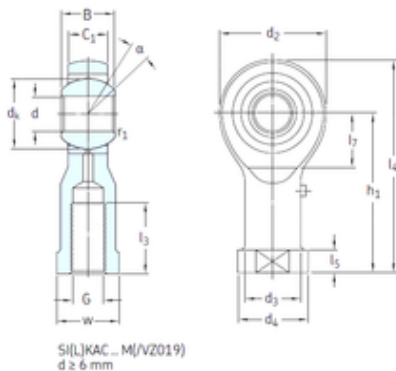




# Changzhou SND bearing Co.,Ltd

## SKF SIKAC16M/VZ019 plain bearings

Bearing No. SIKAC16M/VZ019



SIKAC16M/VZ019 Bearing 2D drawings and 3D CAD models

Bore Diameter	16 mm
d	16 mm
d2	43 mm
d3	22 mm
d4 max.	29 mm
dk	28,5 mm
h1	64 mm
l3 min.	28 mm
l4 max.	87 mm
l5	8 mm
l7 min.	21 mm
r1 min.	0,3 mm
B	21 mm
C1	15,5 mm
w	22 Tolerance h14
Thread (G)	M16x1,5 Tolerance 6H
Angle	15 °
Weight	0,22 Kg
Basic dynamic load rating (C)	21,6 kN