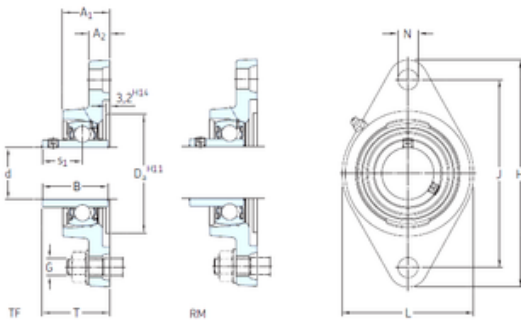




Changzhou SND bearing Co.,Ltd

SKF FYTJ 1.1/4 TF bearing units

Bearing No. FYTJ 1.1/4 TF



FYTJ 1.1/4 TF Bearing 2D drawings and 3D CAD models

Bore Diameter	31.75 mm
Width	42,9 mm
d	31.75 mm
s1	25,4 mm
A1	34 mm
B	42,9 mm
G	14 mm
H	161 mm
J	130 mm
L	96 mm
N	16 mm
T	44,4 mm
A2	16 mm
Weight	1,3 Kg
Basic dynamic load rating (C)	25,5 kN
Basic static load rating (C0)	15,3 kN
Fatigue load limit (Pu)	0,655
Housing material	Cast iron
D _a	88.9 mm
D _{b1}	87 mm
D _{b2}	96 mm
A	34 mm
A ₁	16 mm
A ₃	3.2 mm
B ₄	6 mm
s ₁	25.4 mm



Changzhou SND bearing Co.,Ltd

R_G	1/4-28 UNF
R_1	20.5 mm
R	45 °
D_N	6.5 mm
SW_N	7 mm
G_N	1/4-28 SAE-LT
J_6	106 mm
J_7	15 mm
N_4	2 mm
Basic dynamic load rating C	25.5 kN
Basic static load rating C_0	15.3 kN
Fatigue load limit P_u	0.655 kN
Limiting speed	5300 r/min
Mass bearing unit	1.35 kg
Thread grub screw G_2	5/16-24 UNF
Hexagonal key size for grub screw N	3.969 mm
Recommended tightening torque for grub screw	6.5 N · m
Recommended diameter for attachment bolts, mm G	14 mm
Recommended diameter for attachment bolts, inch G	0.5625 in
Housing	FYTJ 507
Bearing	YAR 207-104-2F