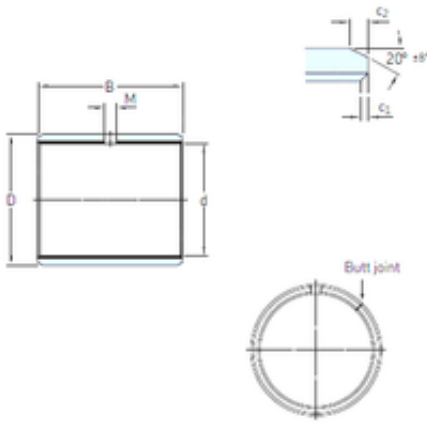




# Changzhou SND bearing Co.,Ltd

20 mm x 23 mm x 30 mm SKF PCM 202330 M plain bearings



Bearing No. PCM 202330 M

Size	20x23x30 mm
Bore Diameter	20 mm
Outer Diameter	23 mm
Width	30 mm
d	20 mm
D	23 mm
B	30 mm
c1 min	0,1 mm
c2 min	0,2 mm
M	3 mm
Weight	0,019 Kg
Basic dynamic load rating (C)	69,5 kN
Category	Plain Bearings
Inventory	0.0
Manufacturer Name	SKF
Minimum Buy Quantity	N/A
UNSPSC	23153417
Weight / Kilogram	0.53
EAN	7316571347363
Product Group	B04264
c <sub>1</sub> min.	0.1 mm
c <sub>1</sub> max.	0.7 mm
c <sub>2</sub> min.	0.2 mm
c <sub>2</sub> max.	1 mm
± 8	20 °

PCM 202330 M Bearing 2D drawings and 3D CAD models



## Changzhou SND bearing Co.,Ltd

Tolerance shaft	h8
Tolerance housing	H7
Basic dynamic load rating - radial direction C	69.5 kN
Basic static load rating - radial direction C <sub>0</sub>	146 kN
Specific dynamic load factor K	120 N/mm <sup>2</sup>
Specific static load factor K <sub>0</sub>	250 N/mm <sup>2</sup>
Factor depending on material and bearing type K <sub>M</sub>	1900
Permissible sliding velocity v min.	0 m/s
Permissible sliding velocity v max.	2.5 m/s
Coefficient of friction μ min.	0.02
Coefficient of friction μ max.	0.2
Mass bushing	0.019 kg