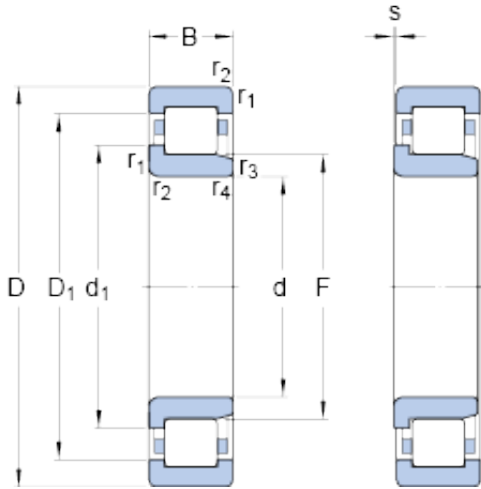




Changzhou SND bearing Co.,Ltd



50 mm x 90 mm x 23 mm SKF NJ 2210 ECP thrust ball bearings

Bearing No. NJ 2210 ECP

Size	90x50x23 mm
Bore Diameter	90 mm
Outer Diameter	50 mm
Width	23 mm
d	50 mm
D	90 mm
B	23 mm
d ₁	64 mm
D ₁	77.4 mm
F	59.5 mm
r _{1,2} - min.	1.1 mm
r _{3,4} - min.	1.1 mm
s	1.5 mm
d _a - min.	57 mm
d _a - max.	57.5 mm
d _b - min.	66 mm
D _a - max.	82.4 mm
r _a - max.	1 mm
Basic dynamic load rating - C	90 kN
Basic static load rating - C ₀	88 kN
Fatigue load limit - P _u	11.4 kN
Reference speed	8500 r/min
Limiting speed	9000 r/min
Calculation factor - k _r	0.2

NJ 2210 ECP Bearing 2D drawings and 3D CAD models



Changzhou SND bearing Co.,Ltd

Category	Cylindrical Roller Bearings
Inventory	0.0
Manufacturer Name	SKF
Minimum Buy Quantity	N/A
Weight / Kilogram	0.591
EAN	7316577033680
Product Group	B04144
Bore Profile	Straight
Cage Material	Polymer
Precision Class	RBEC 1 ISO P0
Number of Rows of Rollers	Single Row
Separable	Inner Ring - One Side
Rolling Element	Cylindrical Roller Bearing
Profile	Complete with Outer and Inner Ring
Snap Ring	No
Internal Clearance	C0-Medium
Retainer	Yes
Relubricatable	Yes
Inch - Metric	Metric
Other Features	High Capacity 1 Rib Inner Ring 2 Rib Outer Ring Cage on Outer Ring ID
Long Description	50MM Bore; Straight Bore Profile; 90MM Outside Diameter; 23MM Width; Polymer Cage Matetrial; RBEC 1 ISO P0; Single Row; Inner Ring - One Side Separable; No Snap Ring; Relubricatable; C0-Medium Inter
Category	Cylindrical Roller Bearing
UNSPSC	31171547
Harmonized Tariff Code	8482.50.00.00
Noun	Bearing



Changzhou SND bearing Co.,Ltd

Manufacturer URL	http://www.skf.com
Manufacturer Item Number	NJ 2210 ECP
Weight / LBS	1.301
Outside Diameter	3.543 Inch 90 Millimeter
Width	0.906 Inch 23 Millimeter
Bore	1.969 Inch 50 Millimeter
bore diameter:	50 mm
precision rating:	RBEC 1 (ISO Class Normal)
outside diameter:	90 mm
maximum rpm:	9000 RPM
overall width:	23 mm
bearing material:	Steel
flanges:	(2) Outer Ring, (1) Inner Ring
cage material:	Polyamide
bore type:	Straight
finish/coating:	Uncoated
number of rows:	1
closure type:	Open
internal clearance:	C0
application:	Piston Type Machines, Rolling Mills, Spindles/Machine Tools
ring separation:	Separable Ring
outer ring width:	23 mm
operating temperature range:	Maximum of +300 ° F
fillet radius:	1 mm
dynamic load capacity:	90 kN
series:	NJ22
static load capacity:	88 kN
d ₁	64 mm
D ₁	77.4 mm



Changzhou SND bearing Co.,Ltd

$r_{1,2}$ min.	1.1 mm
$r_{3,4}$ min.	1.1 mm
s max.	1.5 mm
d_a min.	57 mm
d_a max.	57.5 mm
d_b min.	66 mm
D_a max.	82.4 mm
r_a max.	1 mm
Basic dynamic load rating C	90 kN
Basic static load rating C_0	88 kN
Fatigue load limit P_u	11.4 kN
Calculation factor k_r	0.2
Limiting value e	0.3
Axial load factor Y	0.4
Mass bearing	0.57 kg